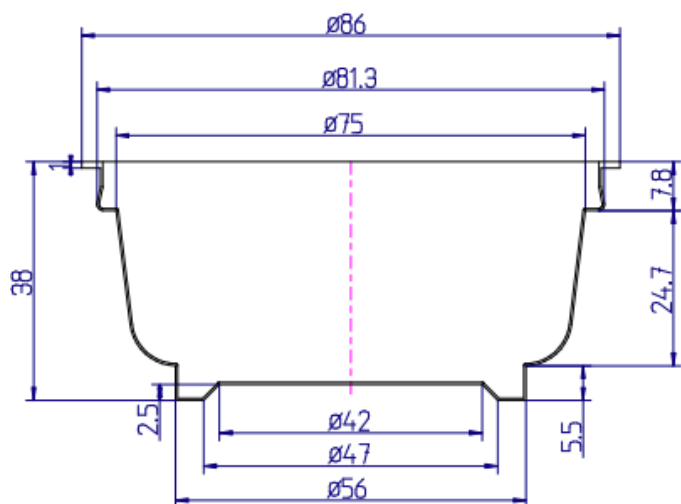
	NATIONAL FOOD PRODUCTS CO.		CODE: PLA/QAD/DS -3
	QUALITY SYSTEM FORMS		ISSUE DATE: 10-June-2017
	Product Data Sheet Thermoforming		ISSUE NO.: 4
	Code	UCU6086150MWIN400-1500	PAGE: 1/1



Item	PS CUP 150 ML 86 DIA
Material:	Polystyrene
Color	Milky White
Unit Weight:	4.0 g ± 0.2g

Quantity	1500 Pcs. /Carton
Carton Size	48X42X35 cm
Poly Bag	Yes

Dimensions in "mm" (Not to scale)	
Tolerance ± 0.3 mm	

Issued by: QC MPC

Date: 21.11.23