



NATIONAL FOOD PRODUCTS CO.

CODE:
PLA/QAD/DS -3

QUALITY SYSTEM FORMS

ISSUE DATE:
10-June-2017

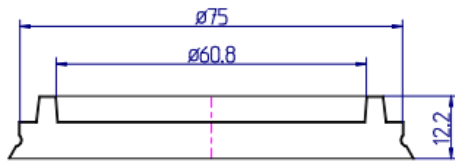
Product Data Sheet
Thermoforming

ISSUE NO.: 4

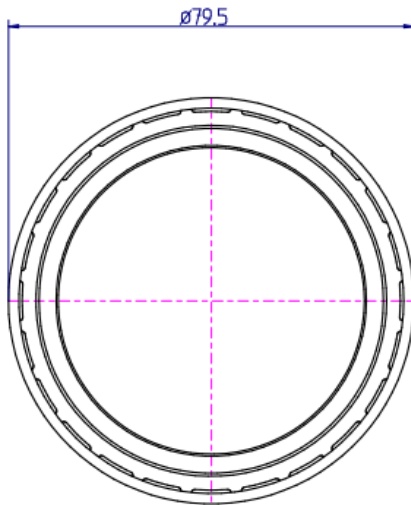
Code

ULD1075CLPL180-1500-WS

PAGE: 1/1



Item	PET ROUND LID 75D CLR
Material:	PET
Color	Clear
Unit Weight:	1.8 g ± 0.2g



Quantity	1500 Pcs. /Carton
Carton Size	41x25x50 cm
Poly bag	Yes

Dimensions in "mm" (Not to scale)

Tolerance ± 0.3 mm

Issued by: QC MPC