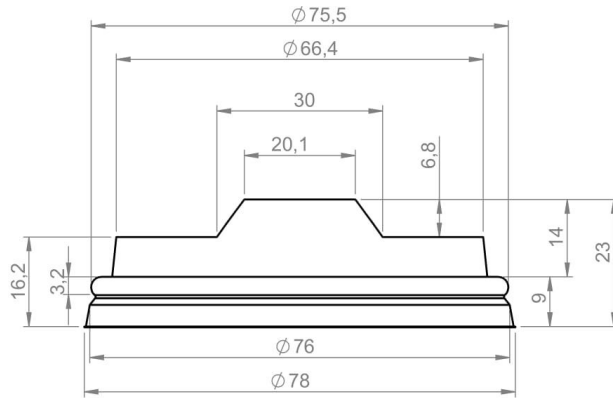
	NATIONAL FOOD PRODUCTS CO.		CODE: PLA/QAD/DS -3
	QUALITY SYSTEM FORMS		ISSUE DATE: 10-June-2017
	Product Data Sheet Thermoforming		ISSUE NO.: 4
	Code	ULD5076BKIN260-1000	PAGE: 1/1



Item	PAPER CUP LID
Material:	Polypropylene
Color	Black
Unit Weight:	2.6 g ± 0.2g

Quantity	1000 Pcs. /Carton
Carton Size	40 X 24 X 32 cm

Dimensions in "mm" (Not to scale)



Issued by: QC MPC

Date: 19.03.19