



NATIONAL FOOD PRODUCTS CO.

CODE:
PLA/QAD/DS -3

QUALITY SYSTEM FORMS

ISSUE DATE:
10-June-2017

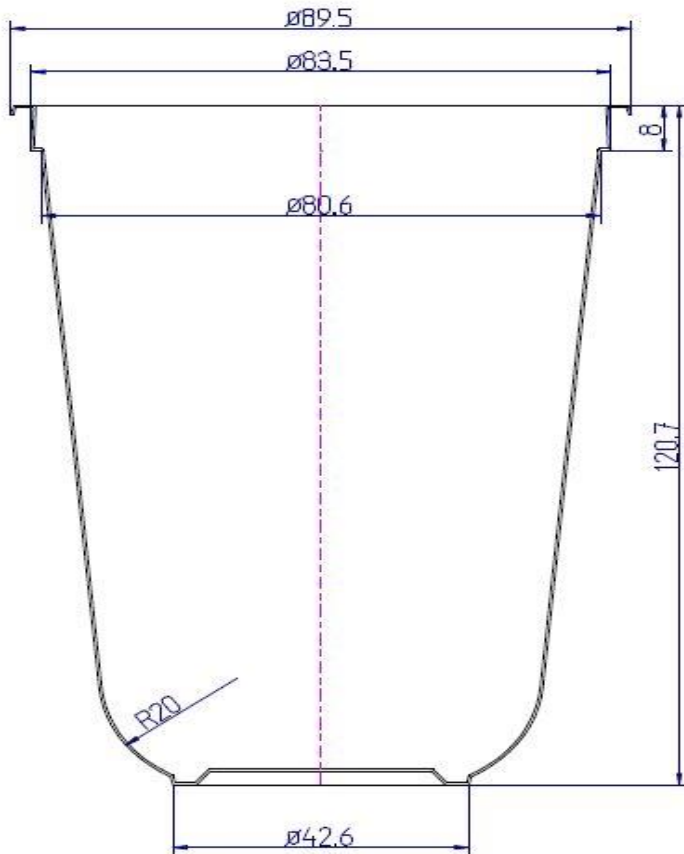
Product Data Sheet
Thermoforming

ISSUE NO.: 4

Code

UJC108816OZCLIN120-1000

PAGE: 1/1



Item	U-Shape Juice Cup 16 Oz
Material:	PET
Color	Clear
Rim Dia	89.5 mm
Unit Weight:	12.00 g ± 0.4g

Quantity	1000 Pcs. /Carton
Carton Size	50 X 45 X 36.5 cm
Poly bag	Yes

Dimensions in "mm" (Not to scale)

Tolerance ± 0.3 mm

Issued By: MPC

Date: 18.02.2022