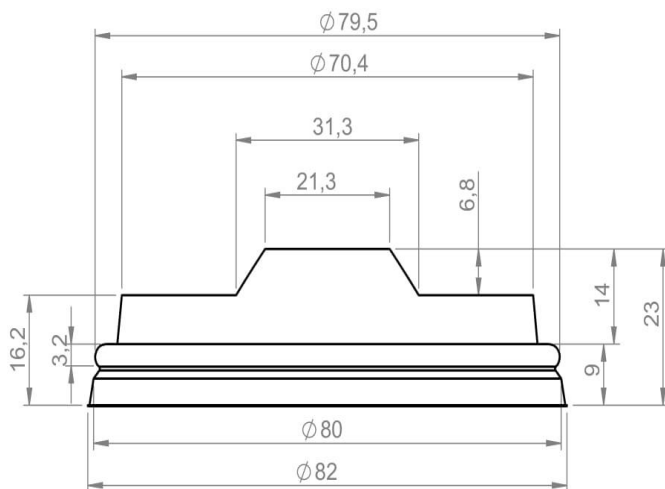
	NATIONAL FOOD PRODUCTS CO.		CODE: PLA/QAD/DS -3
	QUALITY SYSTEM FORMS		ISSUE DATE: 10-June-2017
	Product Data Sheet Thermoforming		ISSUE NO.: 4
	Code	ULD5079BKIN300-1000	PAGE: 1/1



Item	PAPER CUP LID
Material:	Polypropylene
Color	Black
Unit Weight:	3.0 g ± 0.2g

Quantity	1000 Pcs. /Carton
Carton Size	42 X 24 X 33 cm

Dimensions in "mm" (Not to scale)

