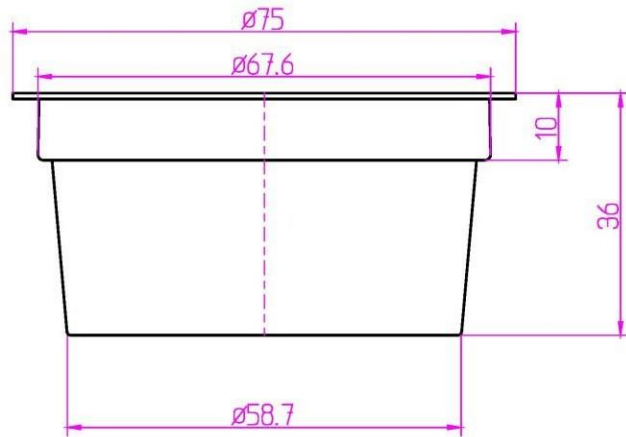
	NATIONAL FOOD PRODUCTS CO.		CODE: PLA/QAD/DS -3
	QUALITY SYSTEM FORMS		ISSUE DATE: 10-June-2017
	Product Data Sheet Thermoforming		ISSUE NO.: 4
	Code	UCU507575WHPL380-1500	PAGE: 1/1



Item	PP Cup 75 ML 75 DIA
Material:	PP
Color	white
Rim Dia	75 mm
Unit Weight:	3.8 g \pm 0.2g

Quantity	1500 Pcs. /Carton
Carton Size	51.5 X 45 X 37 cm
Poly bag	yes

Dimensions in "mm" (Not to scale)
Tolerance \pm 0.3 mm

Issued by: QC MPC

Date: 05.05.2018