



NATIONAL FOOD PRODUCTS CO.

CODE:  
PLA/QAD/DS -  
3

QUALITY SYSTEM FORMS

ISSUE DATE:  
10-June-2017

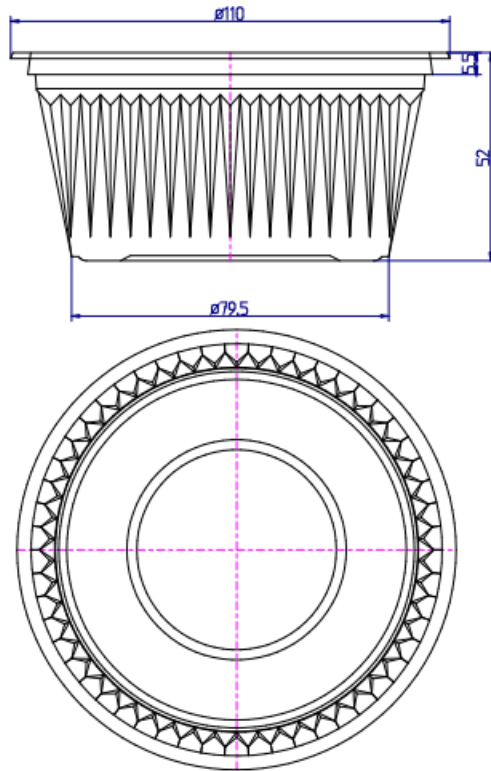
Product Data Sheet  
Thermoforming

ISSUE NO.: 4

**Code**

RCN5010250MWIN500-1000

PAGE: 1/1



Item	PP ROUND CNT 250ML 110D MWT
Material:	Polypropylene
Color	Milky white
Unit Weight:	5.0 g ± 0.2g

Quantity	1000 Pcs. /Carton
Carton Size	56 x 41x 44.5 cm
Poly bag	yes

Dimensions in "mm" (Not to scale)

Tolerance ± 0.3 mm