



NATIONAL FOOD PRODUCTS CO.

CODE:  
PLA/QAD/DS -3

QUALITY SYSTEM FORMS

ISSUE DATE:  
10-June-2017

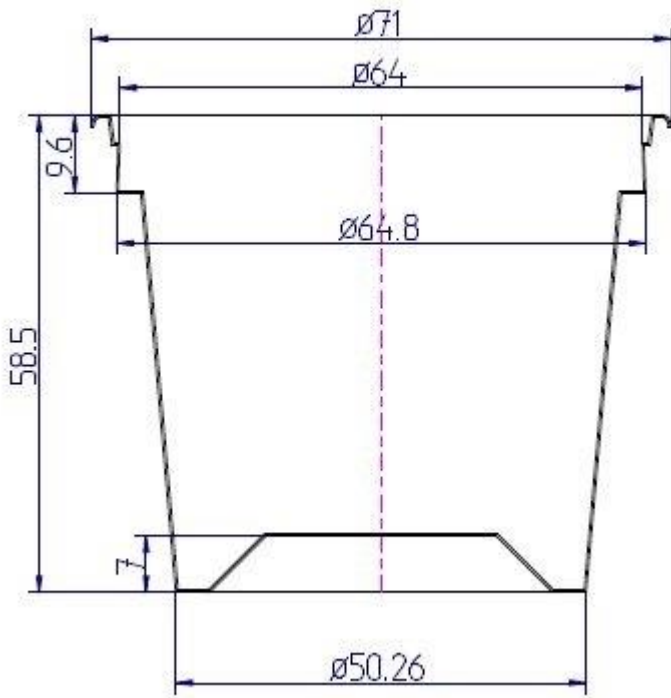
Product Data Sheet  
Thermoforming

ISSUE NO.: 4

**Code**

**UCU1071100WHIN400-2400**

PAGE: 1/1



Item	1101T
Material	PET
Rim Dia	71 Dia
Color	White
Unit Weight	4.0 g ± 0.2g
Volume	100 ml

Quantity	2400 Pcs/Carton
Carton	53 x 36 x 43 cm
Polybag	Yes

Dimensions in "mm" (Not to scale)	
Tolerance ± 0.3 mm	

Issued by: QC MPC