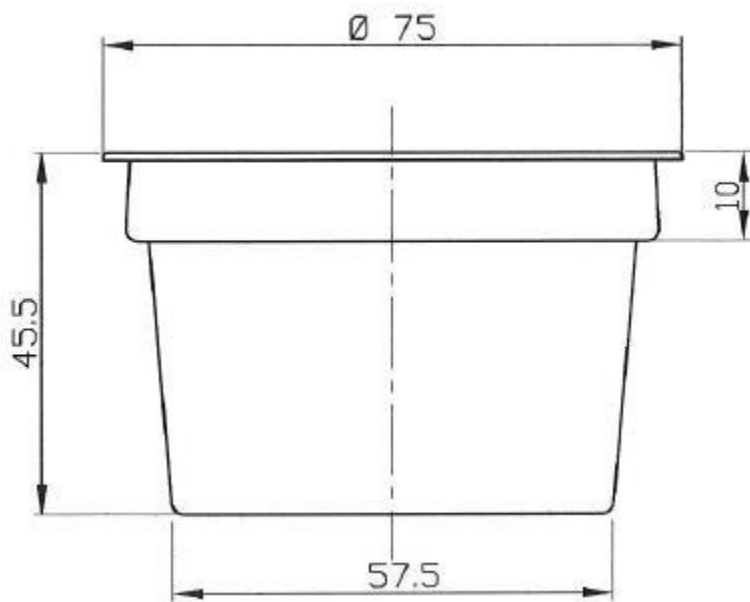
	NATIONAL FOOD PRODUCTS CO.		CODE: PLA/QAD/DS -3
	QUALITY SYSTEM FORMS		ISSUE DATE: 10-June-2017
	Product Data Sheet Thermoforming		ISSUE NO.: 4
	Code	UDC107590CLIN400-2100	PAGE: 1/1



Item	5090 PET
Material:	Polyethylene Terephthalate
Rim Dia	75 mm
Unit Weight:	4.0 g ± 0.2 g
Volume:	90 cc

Quantity	2100 Pcs. /Carton
Carton Size	59 x 40 x 48.5 cm
Poly Bag	Yes

Dimensions in "mm" (Not to scale)
Tolerance ± 0.3 mm