



NATIONAL FOOD PRODUCTS CO.

QUALITY SYSTEM FORMS

Product Data Sheet  
Thermoforming

**Code**

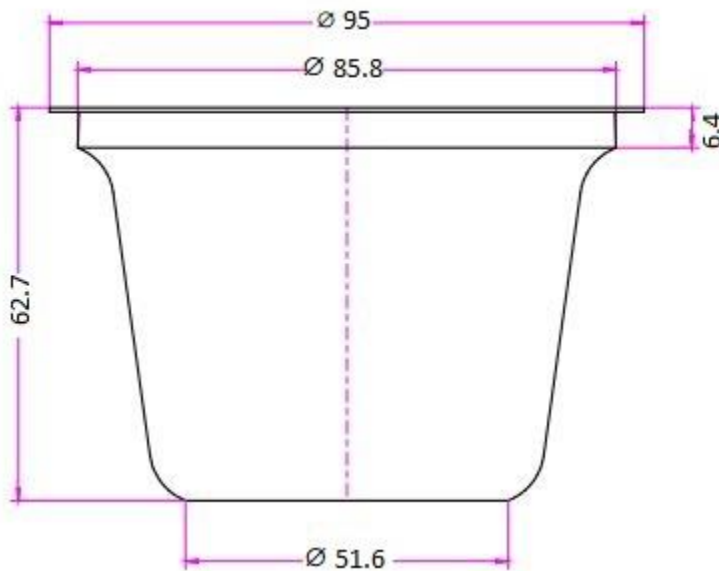
UCU5095200WHIN600-2040

CODE:  
PLA/QAD/DS -3

ISSUE DATE:  
10-June-2017

ISSUE NO.: 4

PAGE: 1/1



Item	PP Cup 200 ml 95 Dia
Material:	Polypropylene
Color	white
Rim Dia	95 mm
Unit Weight:	6.00 g $\pm$ 0.3g

Quantity	2040 Pcs. /Carton
Carton Size	54.5 X 40.5 X 54 cm
Poly bag	Yes

Dimensions in "mm" (Not to scale)  
Tolerance  $\pm 0.3$  mm

Issued by: QC MPC