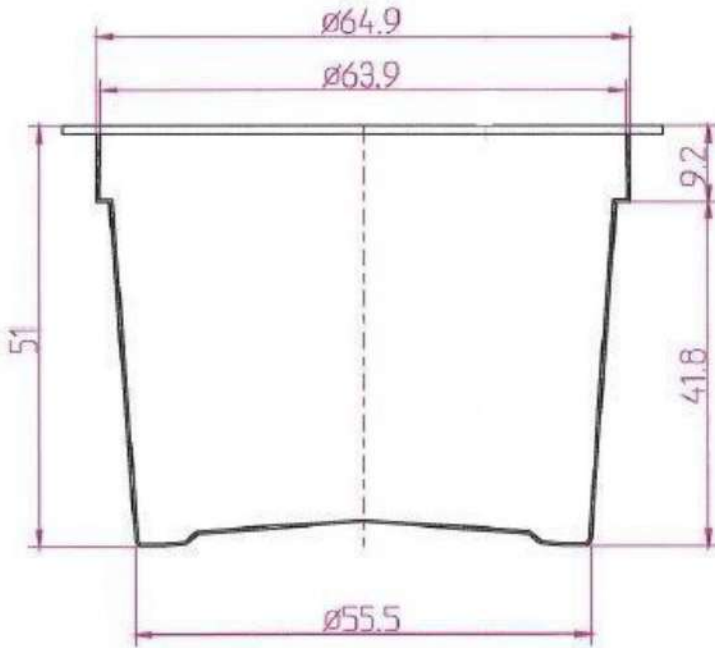
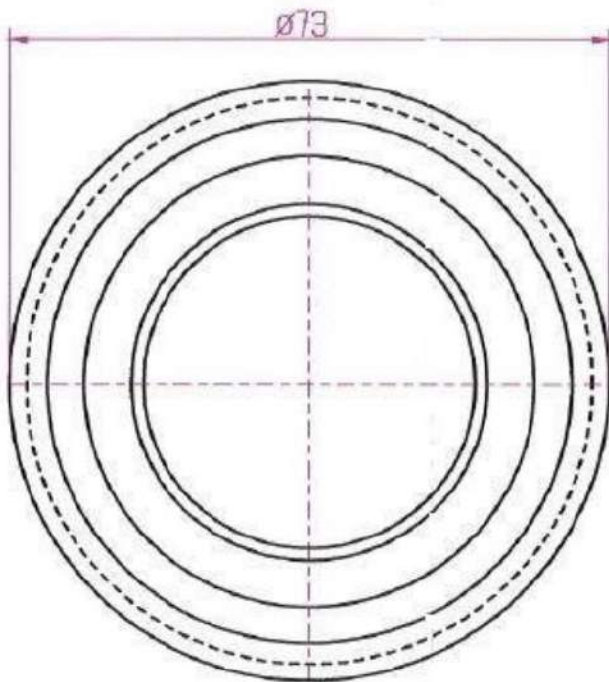
	NATIONAL FOOD PRODUCTS CO.		CODE: PLA/QAD/DS -3
	QUALITY SYSTEM FORMS		ISSUE DATE: 10-June-2017
	Product Data Sheet Thermoforming		ISSUE NO.: 4
	Code	UCU5073100WHPL400-1500	PAGE: 1/1




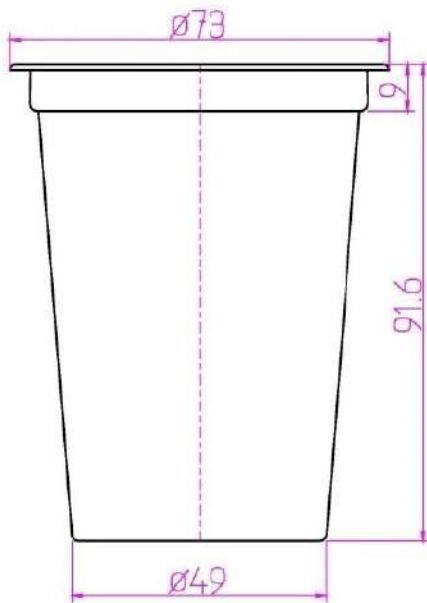
Item	PP Cup 100 ML 73 DIA
Material:	Polypropylene
Color	white
Rim Dia	73 mm
Unit Weight:	4.0 g ± 0.2g

Quantity	1500 Pcs. /Carton
Carton Size	45X44X37 cm
Poly bag	yes

Dimensions in "mm" (Not to scale)
Tolerance ± 0.3 mm



	NATIONAL FOOD PRODUCTS CO.		CODE: PLA/QAD/DS -3
	QUALITY SYSTEM FORMS		ISSUE DATE: 10-June-2017
	Product Data Sheet Thermoforming		ISSUE NO.: 4
	Code	UCU6073200WHIN600-200	PAGE: 1/1




Item	PS Cup 200 ML 73 DIA
Material:	Polystyrene
Color	white
Rim Dia	73 mm
Unit Weight:	6.0 g ± 0.3g

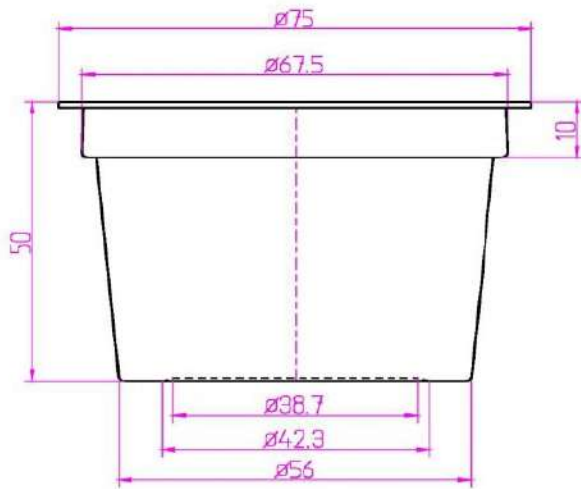
Quantity	2000 Pcs. /Carton
Carton Size	51 X 36 X 55.5 cm
Poly bag	yes

Dimensions in "mm" (Not to scale)	
Tolerance ± 0.3 mm	

Issued by: QC MPC

Date: 05.02.2018

	NATIONAL FOOD PRODUCTS CO.		CODE: PLA/QAD/DS -3
	QUALITY SYSTEM FORMS		ISSUE DATE: 10-June-2017
	Product Data Sheet Thermoforming		ISSUE NO.: 4
	Code	UCU6075100WHIN400-150	PAGE: 1/1




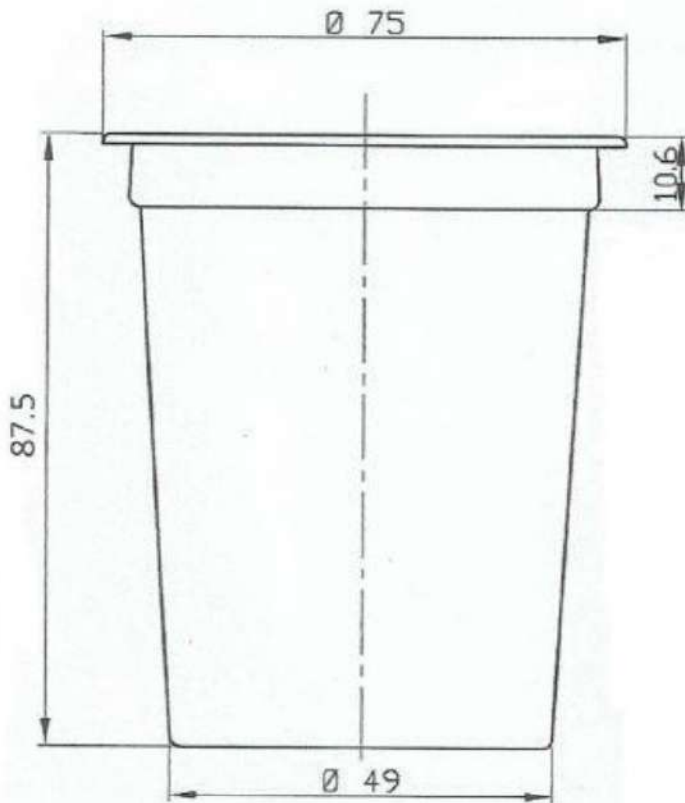
Item	PS Cup 100 ML 75 DIA
Material:	PS
Color	white
Rim Dia	75 mm
Unit Weight:	4.0 g ± 0.2g

Quantity	1500 Pcs. /Carton
Carton Size	51.5 X 45 X 37.5 cm
Poly bag	yes

Dimensions in "mm" (Not to scale)	
Tolerance ± 0.3 mm	

Issued by: QC MPC

	NATIONAL FOOD PRODUCTS CO.		CODE: PLA/QAD/DS -3
	QUALITY SYSTEM FORMS		ISSUE DATE: 12-June-2007
	Product Data Sheet Thermoforming		ISSUE NO: 4
	Code	UCU5075200WHPL600-2000	PAGE: 1/1



Item	5201P
Material:	Polypropylene
Rim Dia	75 mm
Unit Weight:	6.0 ± 0.3 g
Volume:	200 cc

Quantity	2000 Pcs/ Carton
Carton Size	54.5x40.5x54 cm
Poly Bag	Yes

Dimensions in "mm" (Not to scale)
Tolerance ± 0.3 mm

Issued by: MPC QCD.



NATIONAL FOOD PRODUCTS CO.

CODE:
PLA/QAD/DS -3

QUALITY SYSTEM FORMS

ISSUE DATE:
10-June-2017

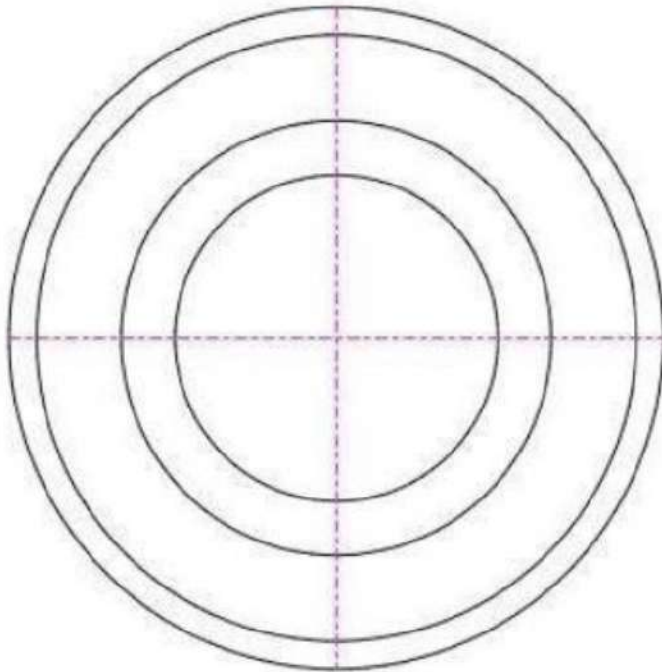
Product Data Sheet
Thermoforming

ISSUE NO.: 4

Code

UCN6016250WHIN760-1000

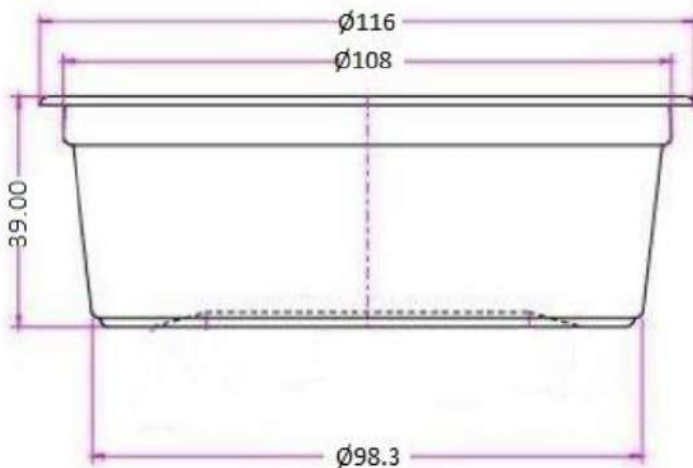
PAGE: 1/1



Item	6250 PS
Material:	High Impact Polystyrene
Color	White
Rim Dia	116 mm
Unit Weight:	7.60 g ± 0.3g

Quantity	1000 Pcs. /Carton
Carton Size	58x47.5x44 cm
Poly bag	Yes

Dimensions in "mm" (Not to scale)
Tolerance ± 0.3 mm



Issued by: QC MPC



NATIONAL FOOD PRODUCTS CO.

CODE:
PLA/QAD/DS -3

QUALITY SYSTEM FORMS

ISSUE DATE:
10-June-2017

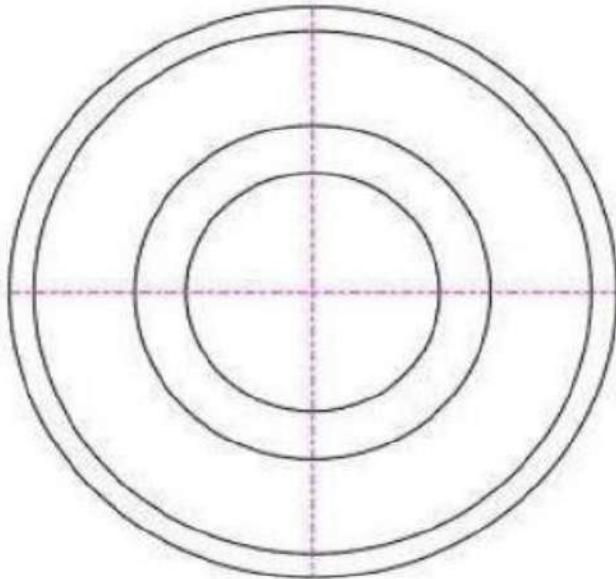
Product Data Sheet
Thermoforming

ISSUE NO.: 4

Code

UCN6016500WHIN120-1000

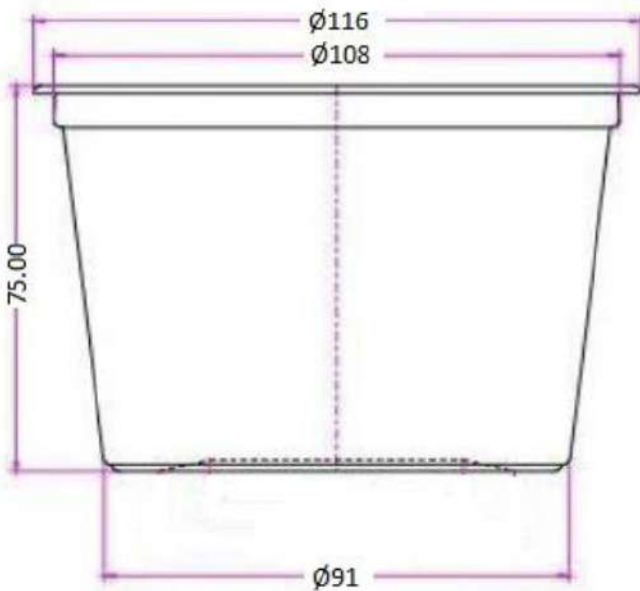
PAGE: 1/1




Item	6500 PS
Material:	High Impact Polystyrene
Color	White
Rim Dia	116 mm
Unit Weight:	12.0 g ± 0.4g

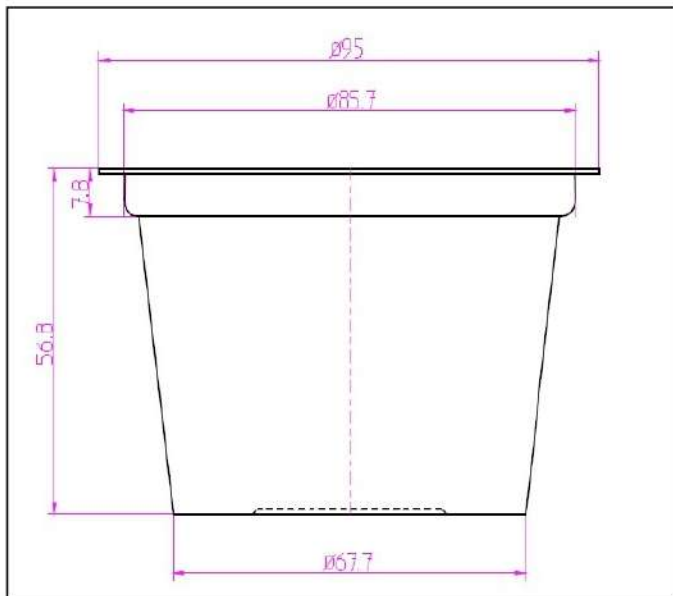
Quantity	1000 Pcs. /Carton
Carton Size	58x47.5x46.5 cm
Poly bag	Yes

Dimensions in "mm" (Not to scale)	
Tolerance ± 0.3 mm	



Issued by: QC MPC

	NATIONAL FOOD PRODUCTS CO.		CODE: PLA/QAD/DS -3
	QUALITY SYSTEM FORMS		ISSUE DATE: 10-June-2017
	Product Data Sheet Thermoforming		ISSUE NO.: 4
	Code	UCU5095200WHIN720-2000	PAGE: 1/1




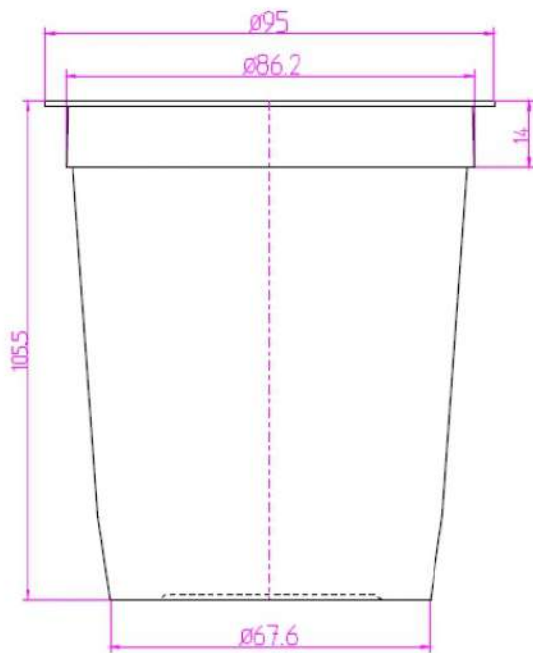
Item	PP CUP 200 ML 95 DIA
Material:	PP
Color	White
Unit Weight:	7.2 g ± 0.3g
Volume	200 ml

Quantity	2000 Pcs. /Carton
Carton Size	58x46.7x47.5 cm
Poly Bag	Yes

Dimensions in "mm" (Not to scale)	
Tolerance ± 0.3 mm	

Issued by: QC MPC

	NATIONAL FOOD PRODUCTS CO.		CODE: PLA/QAD/DS -3
	QUALITY SYSTEM FORMS		ISSUE DATE: 10-June-2017
	Product Data Sheet Thermoforming		ISSUE NO.: 4
	Code	UCU6095400WHIN115-1050	PAGE: 1/1



Item	PS Cup 400 ML 95 DIA
Material:	PS
Color	white
Rim Dia	95 mm
Unit Weight:	11.5 g ± 0.4g

Quantity	1050 Pcs. /Carton
Carton Size	65.2 X 46.7 X 48.5 cm
Poly bag	Yes

Dimensions in "mm" (Not to scale)	
Tolerance ± 0.3 mm	

Issued by: QC MPC