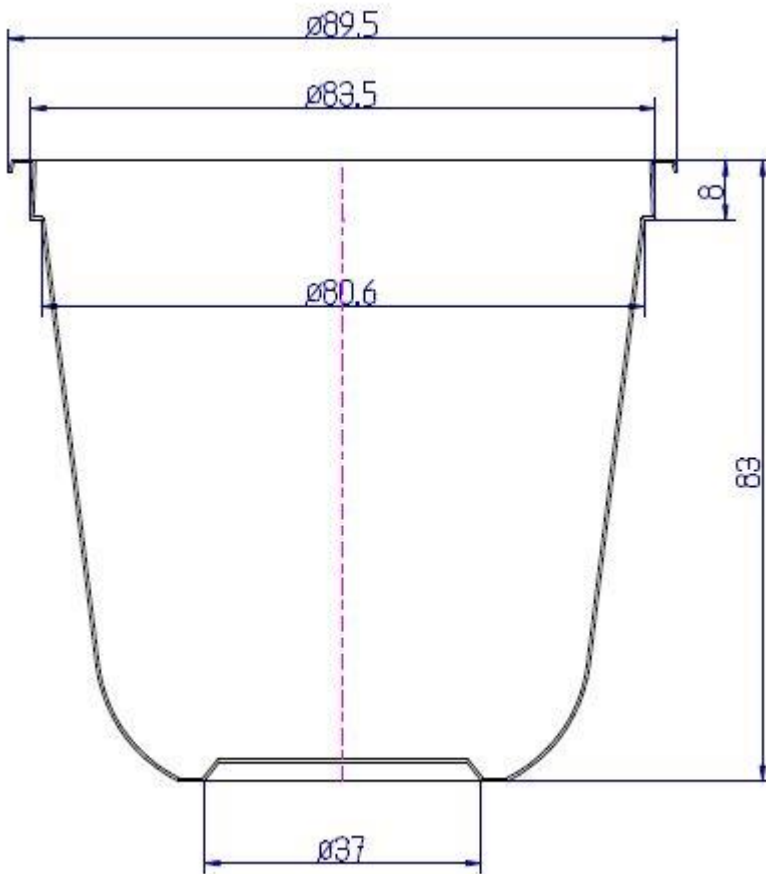
	NATIONAL FOOD PRODUCTS CO.		CODE: PLA/QAD/DS -3
	QUALITY SYSTEM FORMS		ISSUE DATE: 10-June-2017
	Product Data Sheet Thermoforming		ISSUE NO.: 4
	CODE	UJC1088100ZCLPL100-1000	PAGE: 1/1



Item	U-Shape Juice Cup 10 Oz
Material:	PET
Color	Clear
Rim Dia	89.5 mm
Unit Weight:	10.00 g \pm 0.3g

Quantity	1000 Pcs. /Carton
Carton Size	46 X 46 X 36 cm
Poly bag	Yes

Dimensions in "mm" (Not to scale)	
Tolerance \pm 0.3 mm	

Issued By: MPC - QC