



NATIONAL FOOD PRODUCTS CO.

CODE:
PLA/QAD/DS -3

QUALITY SYSTEM FORMS

ISSUE DATE:
10-June-2017

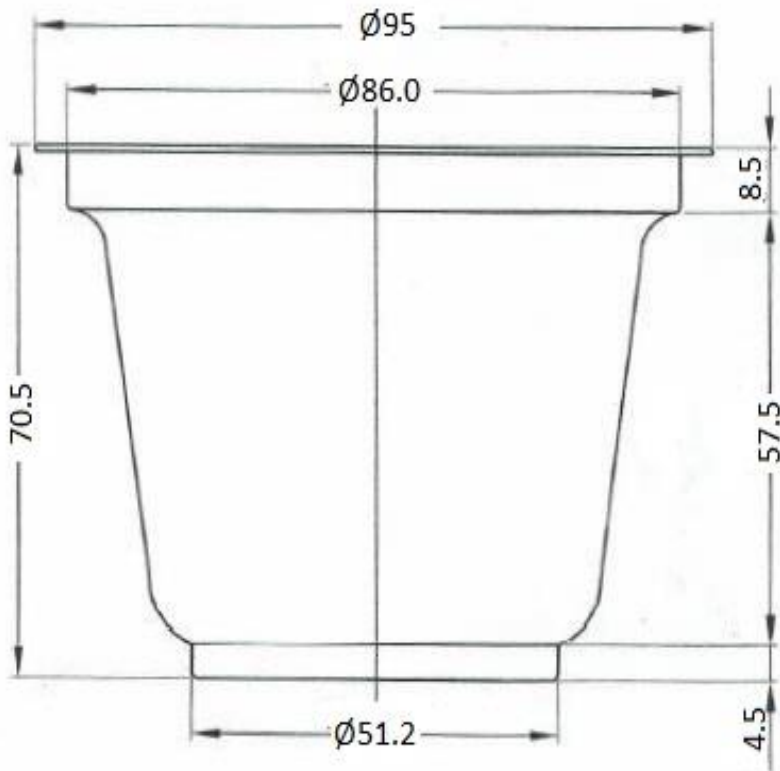
Product Data Sheet
Thermoforming

ISSUE NO.: 4

Code

UCU6095180WHIN680-1600

PAGE: 1/1



Item	9180 PS
Material:	Polystyrene
Color	white
Rim Día	95 mm
Unit Weight:	6.8 g \pm 0.3g

Quantity	1600 Pcs. /Carton
Carton Size	65.2 X 46.7 X 485 cm
Poly bag	Yes

Dimensions in "mm" (Not to scale)

Tolerance \pm 0.3 mm

Issued by: QC MPC