



NATIONAL FOOD PRODUCTS CO.

CODE:
PLA/QAD/DS -3

QUALITY SYSTEM FORMS

ISSUE DATE:
10-June-2017

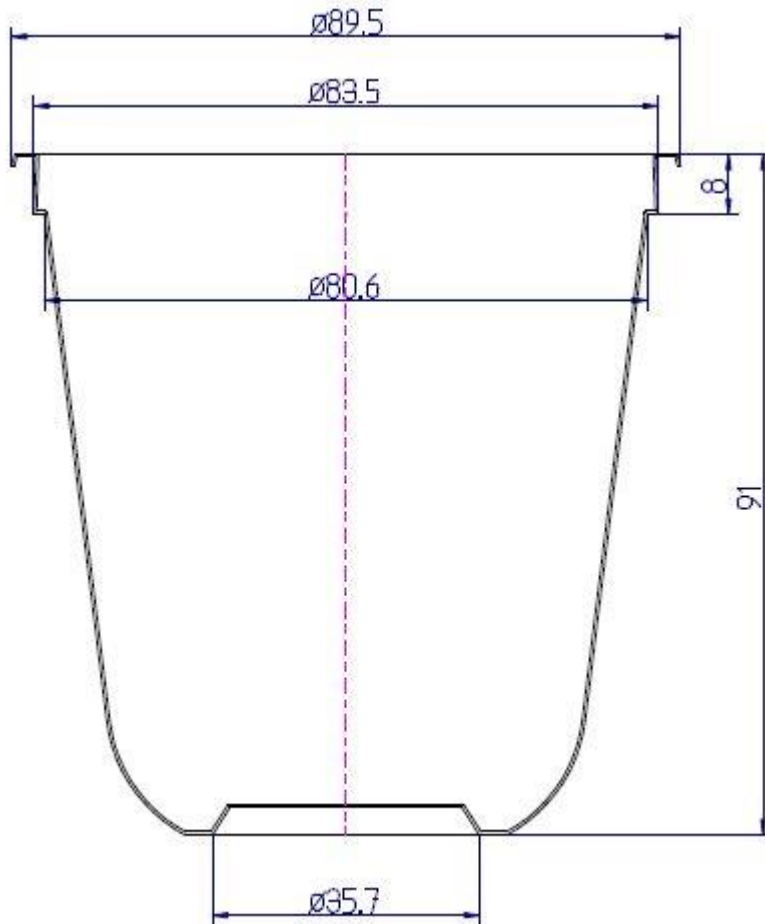
Product Data Sheet
Thermoforming

ISSUE NO.: 4

Code

UJC108812OZCLPL100-1000

PAGE: 1/1



Item	U-Shape Juice Cup 12 Oz
Material:	PET
Color	Clear
Rim Dia	89.5 mm
Unit Weight:	10.00 g \pm 0.3g

Quantity	1000 Pcs. /Carton
Carton Size	46 X 46 X 36 cm
Poly bag	Yes

Dimensions in "mm" (Not to scale)

Tolerance \pm 0.3 mm

Issued By: MPC