



NATIONAL FOOD PRODUCTS CO.

CODE:  
PLA/QAD/DS -3

QUALITY SYSTEM FORMS

ISSUE DATE:  
10-June-2017

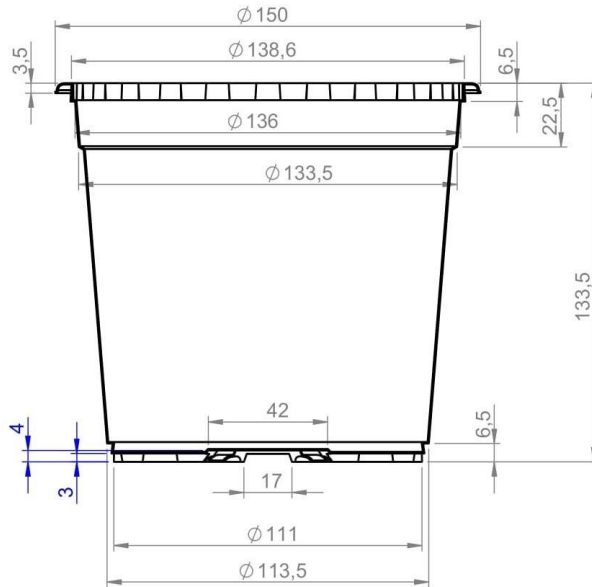
Product Data Sheet  
Thermoforming

ISSUE NO.: 4

**Code**

UFP50150BLK-02

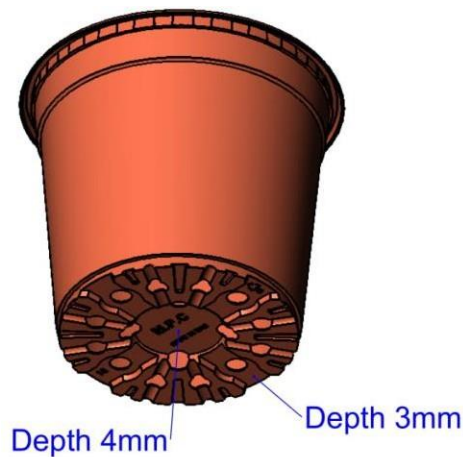
PAGE: 1/1



Item	PP FLOWER POT
Material:	Polypropylene
Color	Black
Unit Weight:	14.0g ± 0.4g
Rim Dia	150 mm

Quantity	500 Pcs. /Carton
Carton Size	76x46x30 cm
Poly Bag	yes

Dimensions in "mm" (Not to scale)



Issued by: QC MPC

Date: 01.06.22