



NATIONAL FOOD PRODUCTS CO.

CODE:  
PLA/QAD/DS -3

QUALITY SYSTEM FORMS

ISSUE DATE:  
10-June-2017

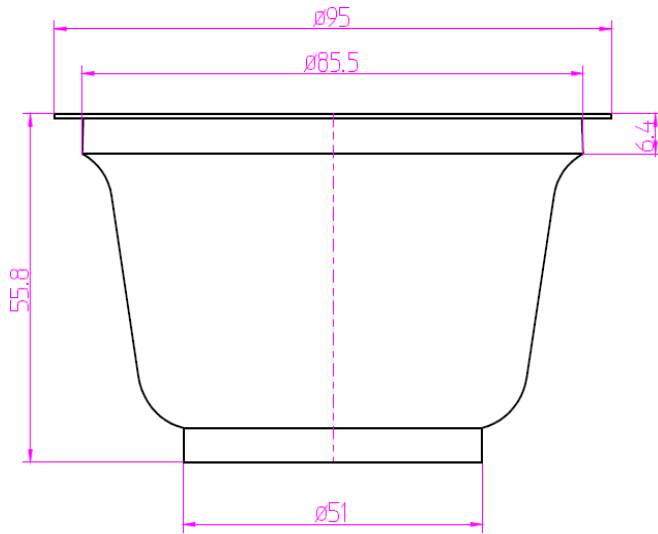
Product Data Sheet  
Thermoforming

ISSUE NO.: 4

Code

UCU5095170WHIN600-1800

PAGE: 1/1



|              |              |
|--------------|--------------|
| Item         | 9170 PS      |
| Material:    | Polystyrene  |
| Color        | white        |
| Rim Dia      | 95 mm        |
| Unit Weight: | 6.0 g ± 0.3g |

|             |                     |
|-------------|---------------------|
| Quantity    | 1800 Pcs. /Carton   |
| Carton Size | 54.5 X 40.5 X 54 cm |
| Poly bag    | Yes                 |

Dimensions in "mm" (Not to scale)

Tolerance ± 0.3 mm

Issued by: QC MPC