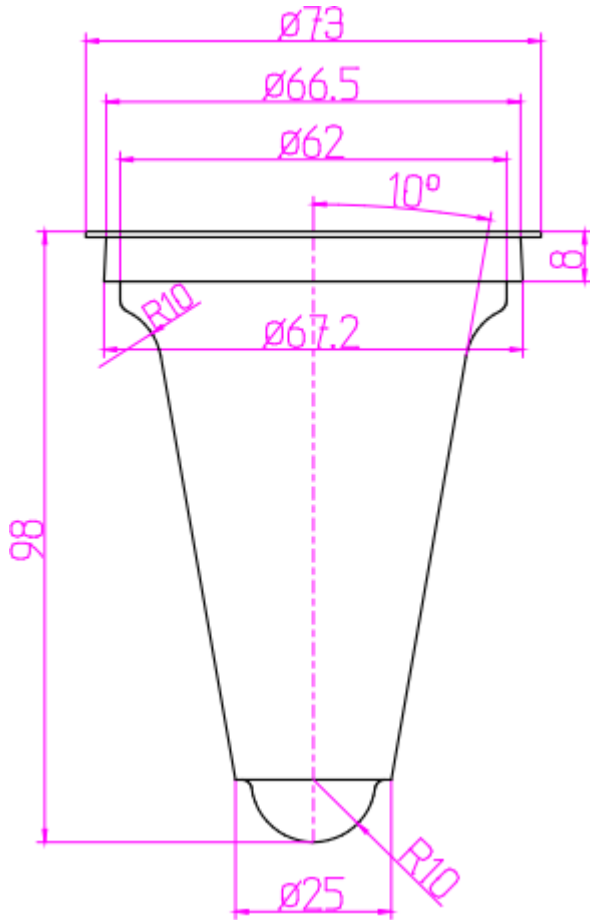
	NATIONAL FOOD PRODUCTS CO.		CODE: PLA/QAD/DS -3
	QUALITY SYSTEM FORMS		ISSUE DATE: 10-June-2017
	Product Data Sheet Thermoforming		ISSUE NO.: 4
	Code	UCO6073100WHIN550-1800	PAGE: 1/1



Item	PS Cone Cup
Material	High Impact Polystyrene
Rim Dia	73 Dia
Color	White
Unit Weight	5.5 g ± 0.3g
Volume	100 ml

Quantity	1800 Pcs/Carton
Carton	56 x 42 x 37 cm
Polybag	Yes

Dimensions in "mm" (Not to scale)
Tolerance ± 0.3 mm