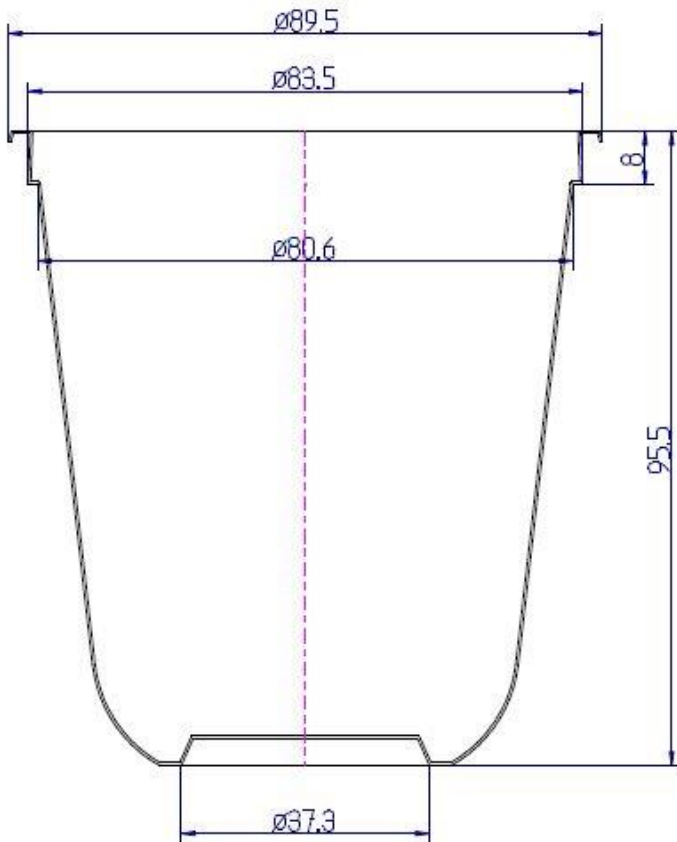
	NATIONAL FOOD PRODUCTS CO.		CODE: PLA/QAD/DS -3
	QUALITY SYSTEM FORMS		ISSUE DATE: 10-June-2017
	Product Data Sheet Thermoforming		ISSUE NO.: 4
	Code	UJC108814OZCLIN120-1000	PAGE: 1/1



Item	U-Shape Juice Cup 14 Oz
Material:	PET
Color	Clear
Rim Dia	89.5 mm
Unit Weight:	12.00 g ± 0.4g

Quantity	1000 Pcs. /Carton
Carton Size	46 X 46 X 36 cm
Poly bag	Yes

Dimensions in "mm" (Not to scale)	
Tolerance ± 0.3 mm	

Issued By: MPC

Date: 18.02.2022