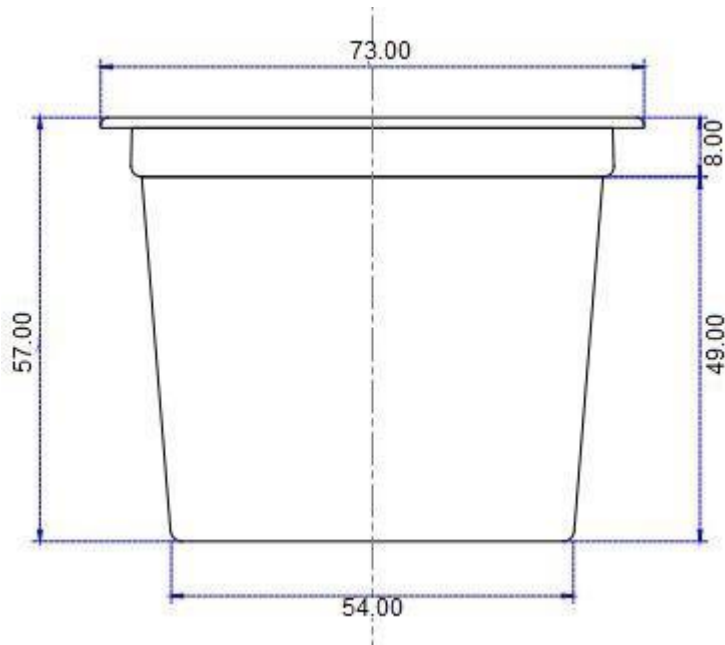
	NATIONAL FOOD PRODUCTS CO.		CODE: PLA/QAD/DS -3
	QUALITY SYSTEM FORMS		ISSUE DATE: 10-June-2017
	Product Data Sheet Thermoforming		ISSUE NO.: 4
	Code	UCU6073125WHIN450-2000	PAGE: 1/1



Item	PS Cup 125 ML 73 DIA
Material:	High Impact Polystyrene
Color	white
Rim Dia	73 mm
Unit Weight:	4.5 g ± 0.2g

Quantity	2000 Pcs. /Carton
Carton Size	49x36x58 cm
Poly bag	yes

Dimensions in "mm" (Not to scale)
Tolerance ± 0.3 mm