



NATIONAL FOOD PRODUCTS CO.

CODE: PLA/QAD/DS - 3

QUALITY SYSTEM FORMS

ISSUE DATE:
10-June-2017

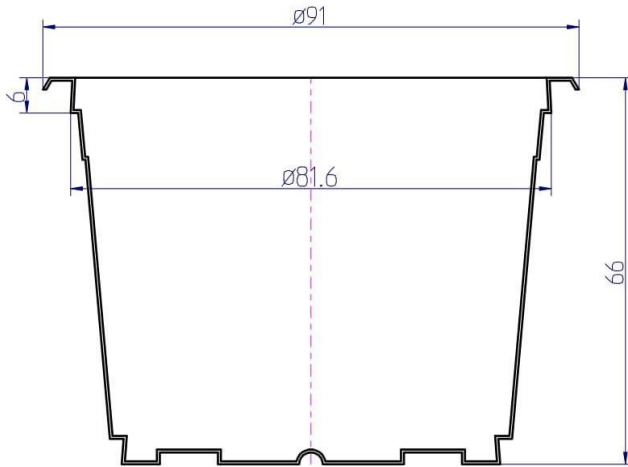
Product Data Sheet
Thermoforming

ISSUE NO.: 4

Code

UFP5093BLK-03

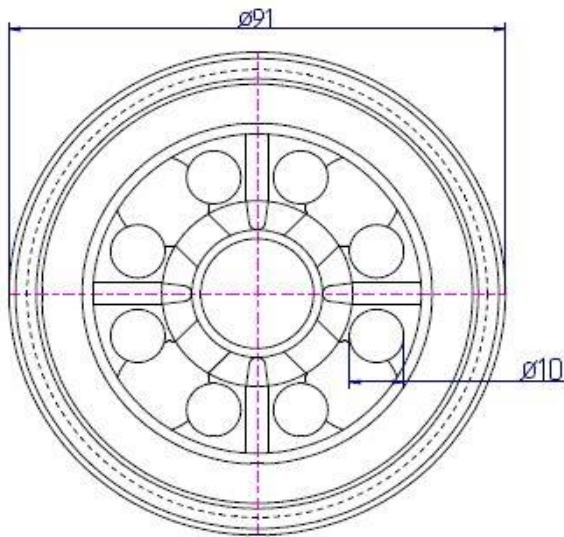
PAGE: 1/1



Item	PP FLOWER POT
Material:	Polypropylene
Color	Black/Brown
Unit Weight:	3.50 g ± 0.2g
Rim Dia	93 mm

Quantity	2000 Pcs. /Carton
Carton Size	48 X 45 X 45 cm

Dimensions in "mm" (Not to scale)



Issued by: QC MPC

Date: 03.03.22