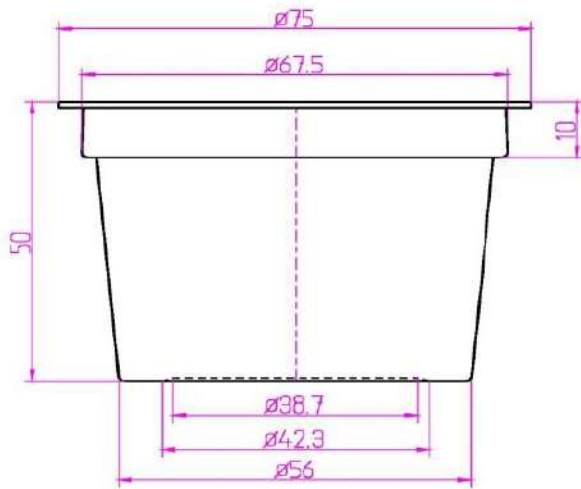
	NATIONAL FOOD PRODUCTS CO.		CODE: PLA/QAD/DS -3
	QUALITY SYSTEM FORMS		ISSUE DATE: 10-June-2017
	Product Data Sheet Thermoforming		ISSUE NO.: 4
	Code	UCU6075100WHIN400-150	PAGE: 1/1



Item	PS Cup 100 ML 75 DIA
Material:	PS
Color	white
Rim Dia	75 mm
Unit Weight:	4.0 g \pm 0.2g

Quantity	1500 Pcs. /Carton
Carton Size	51.5 X 45 X 37.5 cm
Poly bag	yes

Dimensions in "mm" (Not to scale)	
Tolerance \pm 0.3 mm	

Issued by: QC MPC