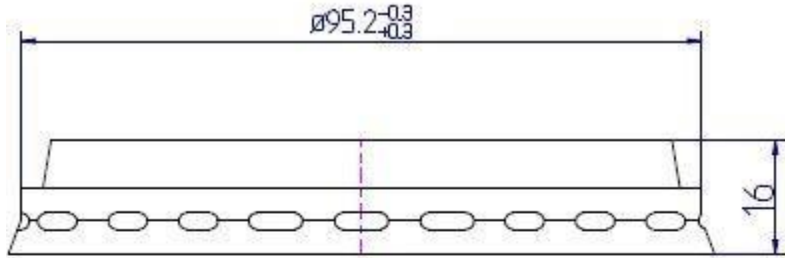
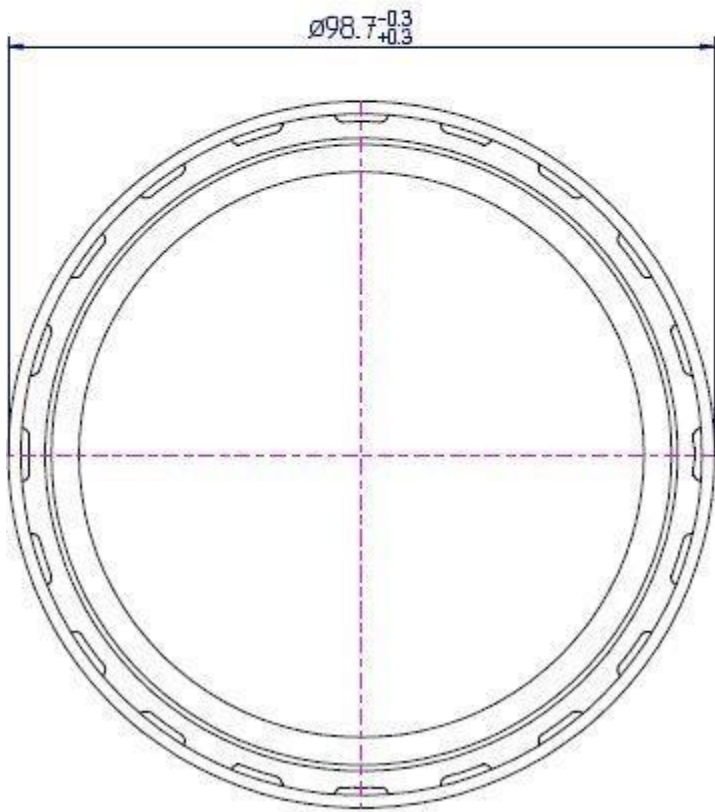




NATIONAL FOOD PRODUCTS CO.		CODE: PLA/QAD/DS -3
QUALITY SYSTEM FORMS		ISSUE DATE: 10-June-2017
Product Data Sheet Thermoforming		ISSUE NO.: 4
Code	ULD1095CLIN350-1000	PAGE: 1/1



Item	PET Round lid 95 DIA
Material:	PET
Color	Clear
Unit Weight:	3.5 g ± 0.2g



Quantity	1000 Pcs. /Carton
Carton Size	50 X 33 X 39.5 cm
Poly bag	Yes

Dimensions in "mm" (Not to scale)	
Tolerance ± 0.3 mm	

Issued by: QC MPC