



NATIONAL FOOD PRODUCTS CO.

CODE: PLA/QAD/DS - 3

QUALITY SYSTEM FORMS

ISSUE DATE:
10-June-2017

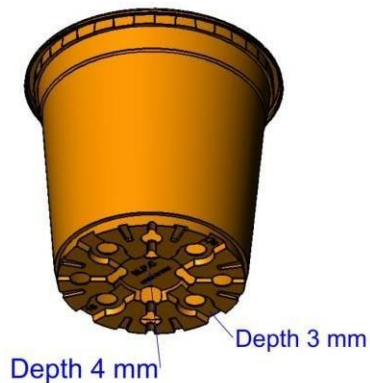
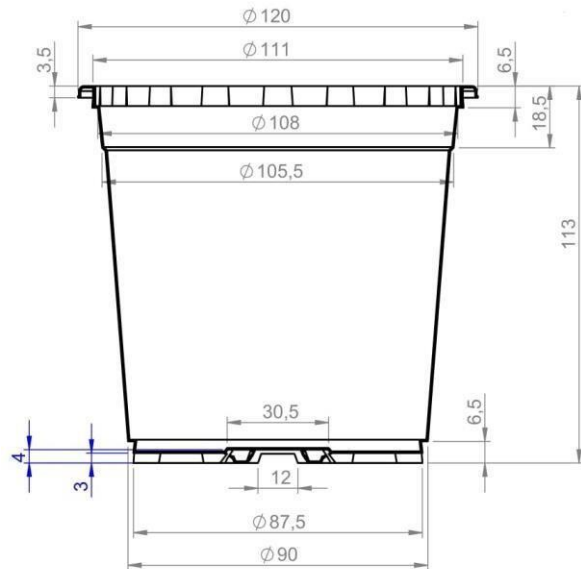
Product Data Sheet
Thermoforming

ISSUE NO.: 4

Code

UFP50120BLK-02

PAGE: 1/1



Item	PP FLOWER POT
Material:	Polypropylene
Color	Black/Brown
Unit Weight:	8.00 g ± 0.3g
Rim Dia	120 mm

Quantity	1000 Pcs. /Carton
Carton Size	61x47x48.5 cm
Poly Bag	yes

Dimensions in "mm" (Not to scale)

Issued by: QC MPC

Date: 01.06.22