
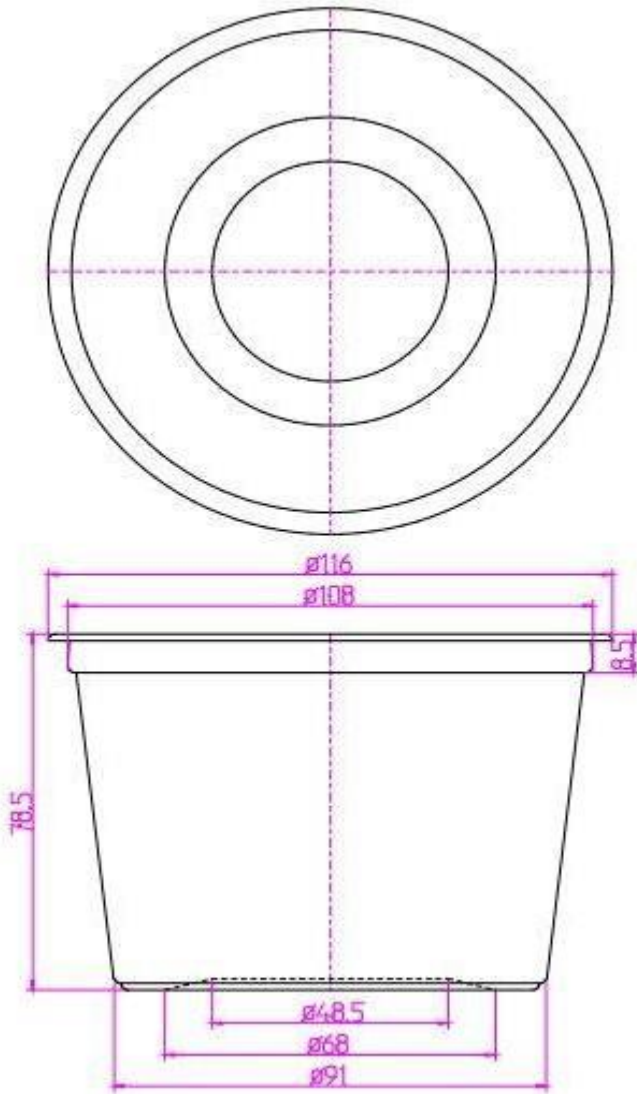


|   |                                     |                        |                             |
|---|-------------------------------------|------------------------|-----------------------------|
|  | NATIONAL FOOD PRODUCTS CO.          |                        | CODE:<br>PLA/QAD/DS -3      |
|   | QUALITY SYSTEM FORMS                |                        | ISSUE DATE:<br>10-June-2017 |
|   | Product Data Sheet<br>Thermoforming |                        | ISSUE NO.: 4                |
|   | <b>Code</b>                         | UCN5016500MWIN120-1000 | PAGE: 1/1                   |



|              |               |
|--------------|---------------|
| Item         | 6500PP        |
| Material:    | Polypropylene |
| Color        | Milky White   |
| Rim Día      | 116 mm        |
| Unit Weight: | 12.0 g ± 0.4g |

|             |                     |
|-------------|---------------------|
| Quantity    | 1000 Pcs. /Carton   |
| Carton Size | 58 x 47.5 x 46.5 cm |
| Poly bag    | Yes                 |

|                                   |  |
|-----------------------------------|--|
| Dimensions in “mm” (Not to scale) |  |
| Tolerance ± 0.3 mm                |  |