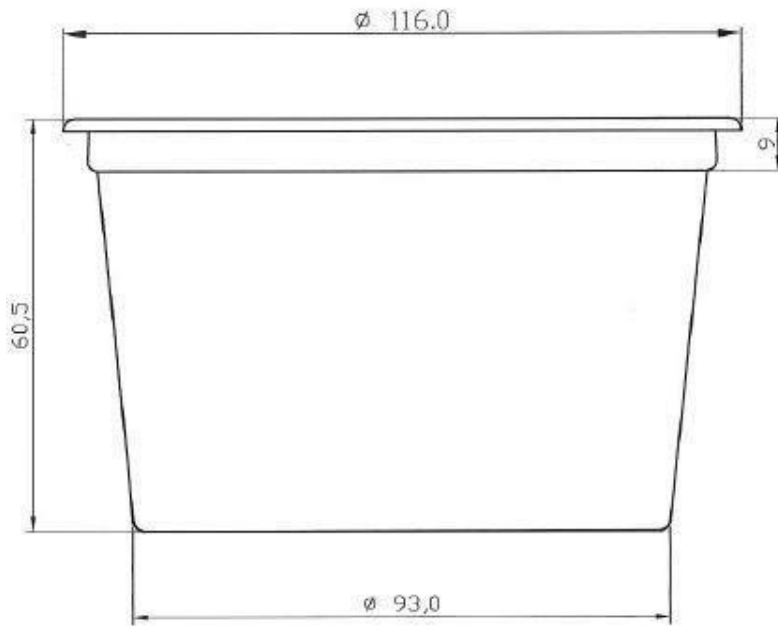
	NATIONAL FOOD PRODUCTS CO.		CODE: PLA/QAD/DS -3
	QUALITY SYSTEM FORMS		ISSUE DATE: 10-June-2017
	Product Data Sheet Thermoforming		ISSUE NO.: 4
	Code	UCN5016400MWIN100-1000	PAGE: 1/1



Item	6400P
Material:	Polypropylene
Rim Dia	116 mm
Unit Weight	10.0 ± 0.3g
Capacity	400 cc

Quantity	1000 Pcs
Carton Size	58x47.5x46.5 cm
Poly Bag	Yes

Dimensions in "mm" (Not to scale)	
Tolerance ± 0.3 mm	