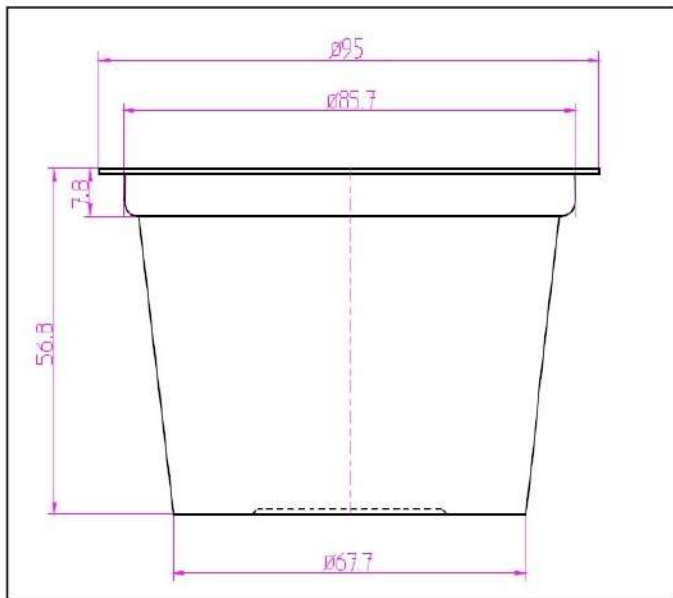
	NATIONAL FOOD PRODUCTS CO.		CODE: PLA/QAD/DS -3
	QUALITY SYSTEM FORMS		ISSUE DATE: 10-June-2017
	Product Data Sheet Thermoforming		ISSUE NO.: 4
	Code	UCU5095200WHIN720-2000	PAGE: 1/1



Item	PP CUP 200 ML 95 DIA
Material:	PP
Color	White
Unit Weight:	7.2 g \pm 0.3g
Volume	200 ml

Quantity	2000 Pcs. /Carton
Carton Size	58x46.7x47.5 cm
Poly Bag	Yes

Dimensions in "mm" (Not to scale)	
Tolerance \pm 0.3 mm	

Issued by: QC MPC