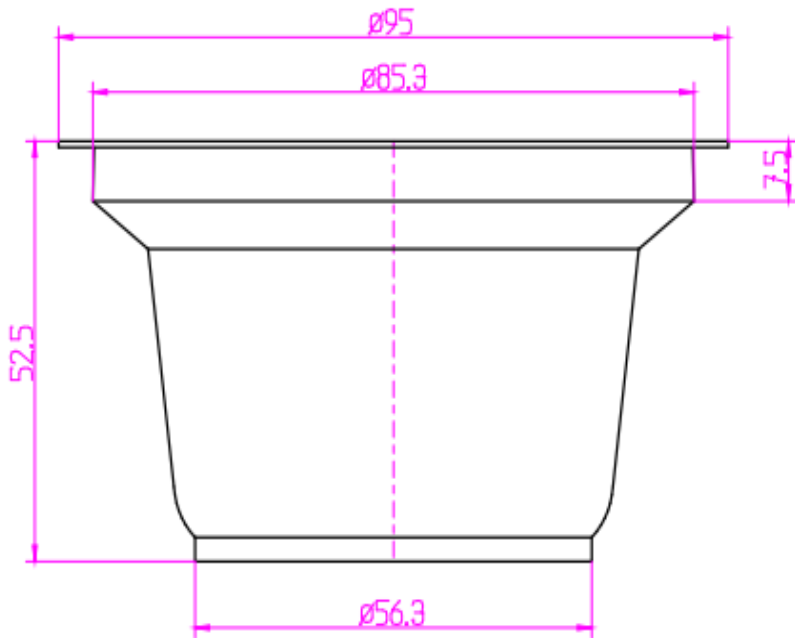
	NATIONAL FOOD PRODUCTS CO.		CODE: PLA/QAD/DS -3
	QUALITY SYSTEM FORMS		ISSUE DATE: 10-June-2017
	Product Data Sheet Thermoforming		ISSUE NO.: 4
	Code	UCU6095130WHIN550-1800	PAGE: 1/1



Item	9130 PS
Material:	Polystyrene
Color	White
Rim Dia	95 Dia mm
Unit Weight:	5.5 g ± 0.3g
Volume	130 ml

Quantity	1800 Pcs. /Carton
Carton Size	62 x 46.7 x 48.5 cm
Poly bag	Yes

Dimensions in "mm" (Not to scale)	
Tolerance ± 0.3 mm	