



NATIONAL FOOD PRODUCTS CO.

CODE:
PLA/QAD/DS -
3

QUALITY SYSTEM FORMS

ISSUE DATE:
10-June-2017

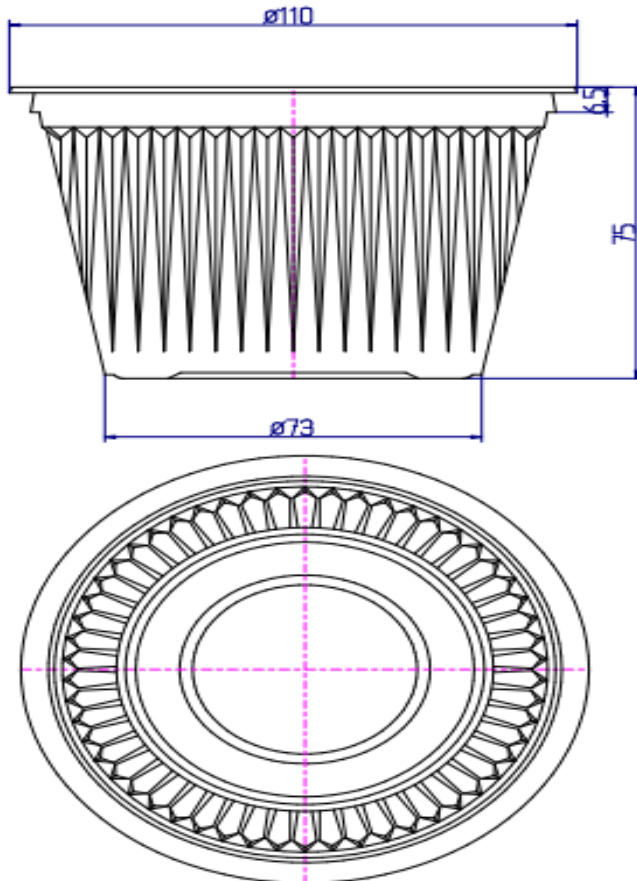
Product Data Sheet
Thermoforming

ISSUE NO.: 4

Code

RCN5010350MWIN700-1000

PAGE: 1/1



Item	PP ROUND CNT 350ML 110D MWT
Material:	Polypropylene
Color	Milky white
Unit Weight:	7.0 g ± 0.2g

Quantity	1000 Pcs. /Carton
Carton Size	56 x 51x 44.5 cm
Poly bag	yes

Dimensions in "mm" (Not to scale)
Tolerance ± 0.3 mm

Issued by: QC MPC